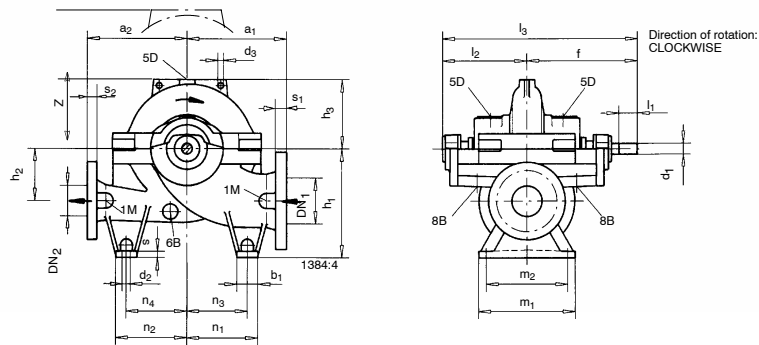
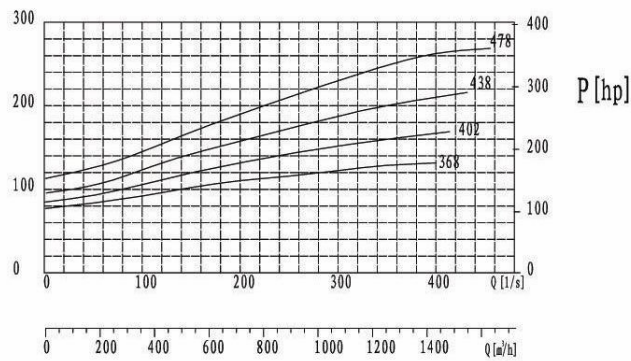
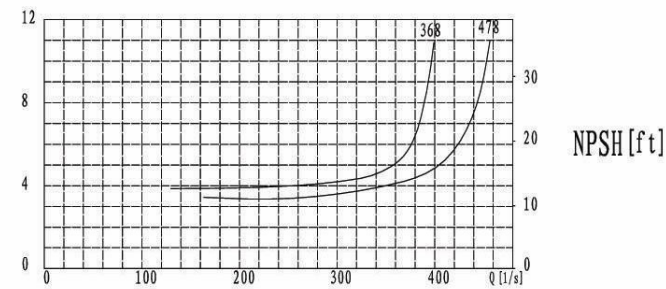
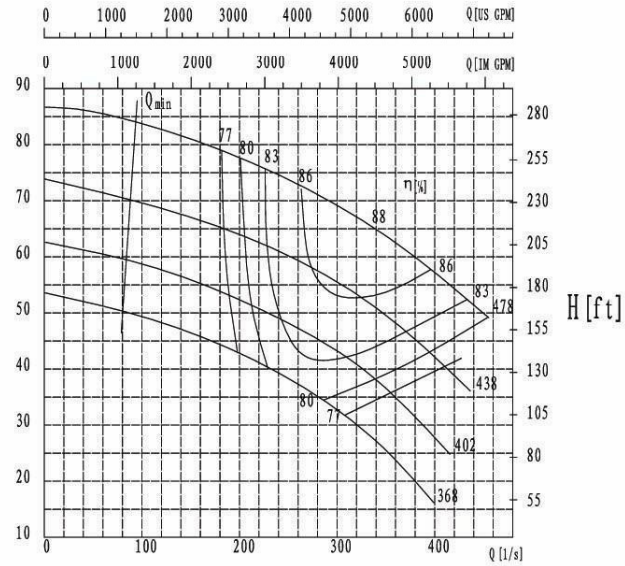


## Pump Model CPS 300-250-480

Speed 1450rpm



Pump Size	FLANGE DIMENSIONS				PUMP DIMENSIONS									
	DN1	DN2	s1	s2	a1	a2	d3	f	h1	h2	h3	l2	l3	z
CPS 300-250-480	300	250	50.8	47.6	550	550	12.5	730	600	300	355	515	1245	710
	FOOT DIMENSIONS										SHAFT		PUMP WEIGHT	
	b1	d2	m1	m2	n1	n2	n3	n4	s	d1	L1	(kg)		
	100	22	600	520	400	400	350	350	26	75	160	830		